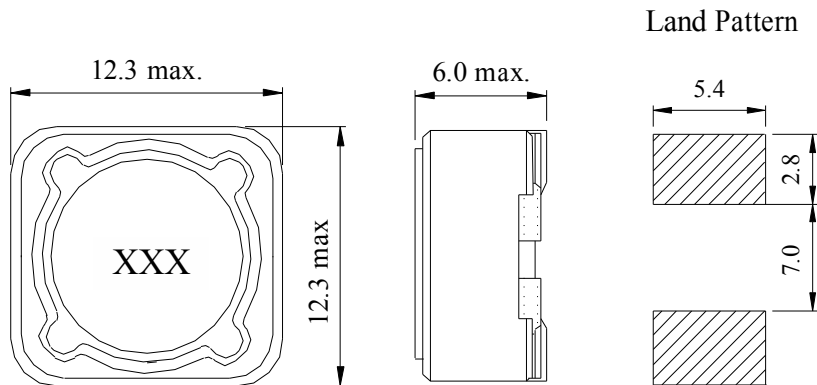


【GSCDRI1205-SERIES】

DIMENSIONS & RECOMMENDED PATTERN



Unit: mm

※ FEATURES

- Applications : DC to DC converters for VTR, OA equipment, LCD television set, notebook, portable communication equipments

SELECTION GUIDE FOR STANDARD COILS

GENERIC Part Number	Inductance (μH)	Tolerance (%)	DC Resistance (Ω) Max	Inductance Decrease Current (A) Max
GSCDRI1205 - 1R3N	1.3	$\pm 30\%$	0.012	8.00
GSCDRI1205 - 2R1N	2.1	$\pm 30\%$	0.014	7.00
GSCDRI1205 - 3R1N	3.1	$\pm 30\%$	0.017	6.00
GSCDRI1205 - 4R4N	4.4	$\pm 30\%$	0.020	5.00
GSCDRI1205 - 4R7N	4.7	$\pm 30\%$	0.040	5.00
GSCDRI1205 - 5R8N	5.8	$\pm 30\%$	0.021	4.40
GSCDRI1205 - 7R5N	7.5	$\pm 30\%$	0.024	4.20
GSCDRI1205 - 100M	10.0	$\pm 20\%$	0.025	4.00
GSCDRI1205 - 120M	12.0	$\pm 20\%$	0.027	3.50
GSCDRI1205 - 150M	15.0	$\pm 20\%$	0.030	3.30
GSCDRI1205 - 180M	18.0	$\pm 20\%$	0.034	3.00
GSCDRI1205 - 220M	22.0	$\pm 20\%$	0.036	2.80
GSCDRI1205 - 270M	27.0	$\pm 20\%$	0.051	2.30
GSCDRI1205 - 330M	33.0	$\pm 20\%$	0.057	2.10
GSCDRI1205 - 390M	39.0	$\pm 20\%$	0.068	2.00
GSCDRI1205 - 470M	47.0	$\pm 20\%$	0.075	1.80
GSCDRI1205 - 560M	56.0	$\pm 20\%$	0.110	1.70
GSCDRI1205 - 680M	68.0	$\pm 20\%$	0.120	1.50
GSCDRI1205 - 820M	82.0	$\pm 20\%$	0.140	1.40

【GSCDRI1205-SERIES】

SELECTION GUIDE FOR STANDARD COILS

GENERIC Part Number	Inductance	Tolerance	DC Resistance	Inductance Decrease Current
	(μ H)	(%)	(Ω) Max	(A) Max
GSCDRI1205 - 101M	100.0	$\pm 20\%$	0.160	1.30
GSCDRI1205 - 121M	120.0	$\pm 20\%$	0.170	1.10
GSCDRI1205 - 151M	150.0	$\pm 20\%$	0.230	1.00
GSCDRI1205 - 181M	180.0	$\pm 20\%$	0.290	0.90
GSCDRI1205 - 221M	220.0	$\pm 20\%$	0.400	0.80
GSCDRI1205 - 271M	270.0	$\pm 20\%$	0.460	0.75
GSCDRI1205 - 331M	330.0	$\pm 20\%$	0.510	0.68
GSCDRI1205 - 391M	390.0	$\pm 20\%$	0.690	0.65
GSCDRI1205 - 471M	470.0	$\pm 20\%$	0.770	0.58
GSCDRI1205 - 561M	560.0	$\pm 20\%$	0.860	0.54
GSCDRI1205 - 681M	680.0	$\pm 20\%$	1.200	0.48
GSCDRI1205 - 821M	820.0	$\pm 20\%$	1.340	0.43
GSCDRI1205 - 102M	1000.0	$\pm 20\%$	1.530	0.40

※ GENERAL SPECIFICATION:

- a. Inductance drop =25% typ. at IDC.
- b. $\Delta T=40^{\circ}\text{C}$ rise at IDC.
- c. Operating Temperature : $-40^{\circ}\text{C} \sim +85^{\circ}\text{C}$
- d. Test Freq. : 1KHz / 0.25V.